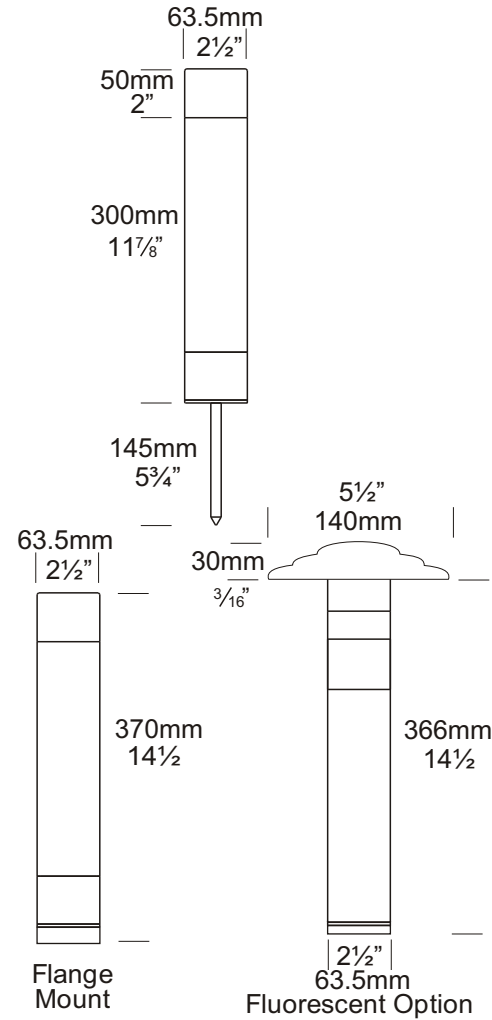


Bollard 300

Cat. No. BOL300
Cat. No. BOL300FL



The Bollard 300 is ideal for garden edges. The acrylic lens reflects light at two angles through an anti-glare mesh directly onto the ground and horizontally to illuminate the surrounding landscape.

Constructed of tubular aluminium with a UV stable powder coated finish or machined from solid copper or 316 stainless steel.

A 110/240 volt fluorescent option is available which offers excellent light output, low energy usage and very low heat generation, this changes the luminaire to an IP66 rating.

Ordering Information

Luminaire Type	Material/Finish	Accessories
BOL300 - Bollard	BK - Black BZ - Bronze GN - Green STAR - Silver Star WH - White COP - Copper SS - 316 Stainless Steel	CJK150 - Cable Joint Kit FL - Fluorescent Option FM - Flange Mount LENSOLF - Frosted Lens HOOD140 - Anti Glare Hood /300 - 300mm (12") Spike For an alternative LED option start at page 10.4



Ordering Example: BOL300 BK - Bollard 300 in Black
 BOL300FL SS - Bollard 300 with Fluorescent Option in 316 Stainless Steel
 HOOD140 BZ - Anti Glare Hood in Bronze
 (Accessories ordered separately)

HUNZA™ PURE OUTDOOR LIGHTING

HUNZA FACTORY
130 Felton Mathew Ave
Glen Innes
Auckland 1072
New Zealand

Ph: 64-9-528 9471
Fax: 64-9-528 9361
hunza@hunza.co.nz
www.hunza.co.nz

INTERNATIONAL CONTACTS:
www.hunza.co.nz/contacts.php

Specifications may change without notice.
Manufactured in New Zealand.

© 2009 Hunza Holdings Ltd.

Ver 1.4

Luminaire Construction

CNC machined from one of the following metals:

High corrosion resistant 63.5mm (2½") x 10mm (25/64") aluminium. End cap - solid aluminium 63.5mm (2½") rod, pole - 63.5mm(2½") x 3.25mm (1/8") x 240mm (9½") with chromate substrate and high UV resistant polyester powder coat

Colours Black, Bronze, Green, Silver Star, White.

Copper 63.5mm (2½") x 10mm (13/32"). End cap - solid copper 63.5mm (2½") rod pole - 63.5mm (2½") x 3.25mm (1/8") x 240mm (9½").

316 Stainless Steel 63.5mm (2½") x 9mm (11/32"). End cap - solid 316 stainless steel 63.5mm (2½") rod pole - 63.5mm (2½") x 3.25mm (1/8") x 240mm (9½").

Mounting

Set in concrete in the ground or specify with flange mount option, which bolts to concrete, tiling or wooden decks.

Features

Lens:

UV stable acrylic with anti-glare mesh and dual angle reflector projects light horizontally and at 45° onto the ground.

Gasket:

Silicone, iron impregnated 220°C (428°F).

Lamp Holders:

GU5.3 - 350°C (662°F) ceramic multi contact lamp holder with 250°C (480°F) teflon cables.

Fluorescent:

E27 PET 210°C (410°F) base mount. E26 only available in the USA.

Accessories:

Cable Joint Kit (Cat. CJK150).
Not approved for USA/Canada.
Anti-Glare Hood (Cat. HOOD140).
Frosted Lens (Cat. LENSOLF).
Flange Mount (Cat. FM).
Fluorescent Option (Cat. FL).
300mm (12") Spike (Cat. /300).

Standards

IP66  UL1838

Luminaire Weight

Alum .870kg (1lb 14oz)
Cop 2.290kg (5lb)
SS 2.170kg (4lb 12oz)

Power Supply

HUNZA™ Inground or Wall Mount
Transformer: not included.

USA and Canada:

HUNZA™ Wall Mount Transformer:
not included.

Luminaire: supplied with

MR16 GU5.3 20, 35, 50 watt lamp
max.

Fluorescent

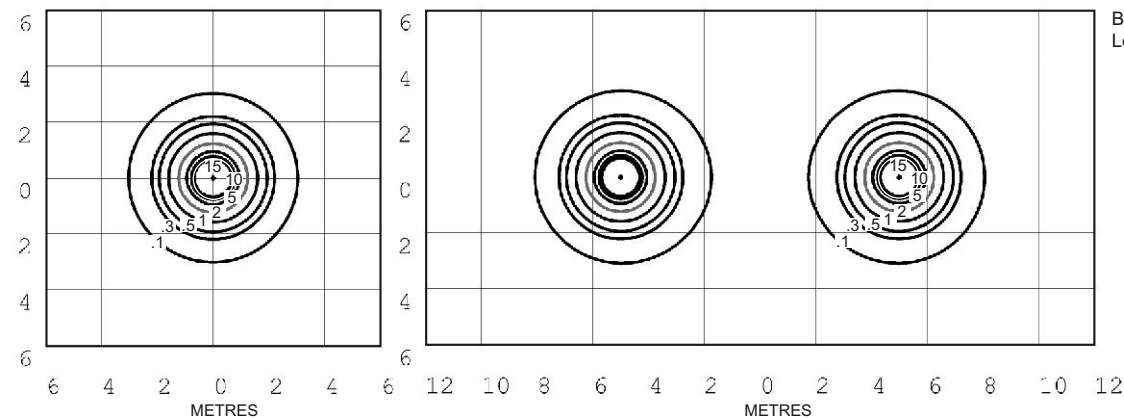
E27 - 110/240 volt self ballasted lamp.

LED - Refer sheet no. 10.4

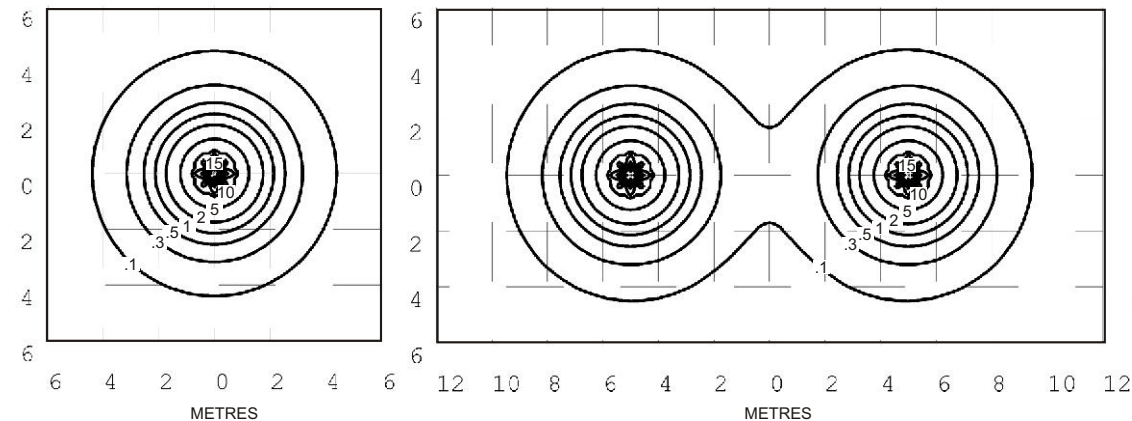
USA and Canada:

MR16 GU5.3 20, 35, 50 watt lamp
max.

LED - Refer sheet no. 10.4



Bollard 300 MR16 ESX 20watt lamp -
Lens height 300mm (12")



Bollard 300 MR16 EXT 50watt lamp -
Lens height 300mm (12")

Isolux Lumens Plot -
Footcandles =
Isolux figures divided by 10.76

HUNZA™ PURE
OUTDOOR
LIGHTING

HUNZA FACTORY
130 Felton Mathew Ave
Glen Innes
Auckland 1072
New Zealand

Ph: 64-9-528 9471
Fax: 64-9-528 9361
hunza@hunza.co.nz
www.hunza.co.nz

INTERNATIONAL CONTACTS:
www.hunza.co.nz/contacts.php

Specifications may change without notice.
Manufactured in New Zealand.
© 2009 Hunza Holdings Ltd.

Ver 1.4