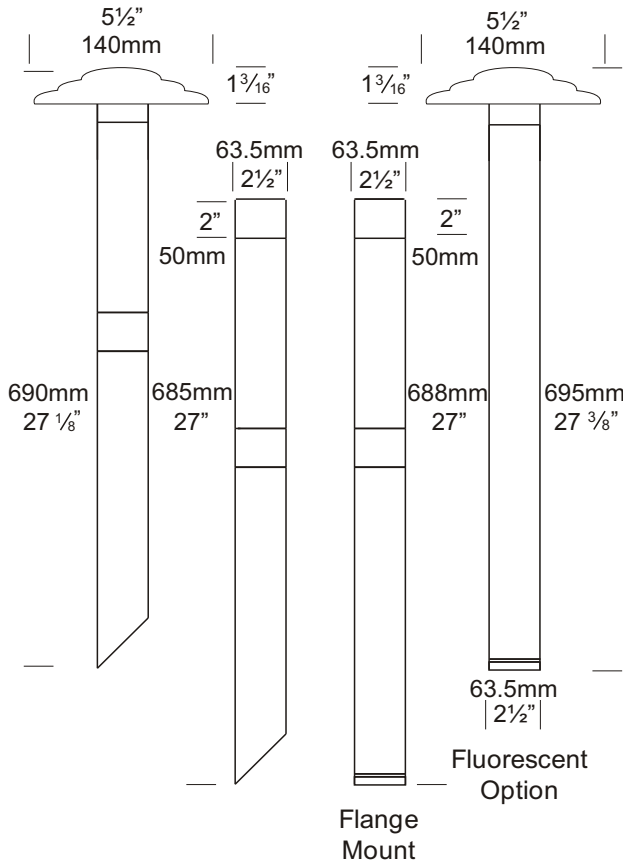


Bollard 700

Cat. No. BOL700

Cat. No. BOL700fl

Cat. No. BOL700/R



The Bollard 700 is ideal for garden edges, driveways, walkways and carparks. The acrylic lens reflects light at two angles through an anti-glare mesh directly onto the ground and horizontally to illuminate the surrounding landscape.

The Retro™, which is a mains option, avoids the need to bury a transformer. The 110/240-12 volt electronic transformer is built into the pole and is a double insulated safety isolating transformer.

A 110/240 volt fluorescent option is available which offers excellent light output, low energy usage and very low heat generation, this changes the luminaire to an IP66 rating.

Ordering Information

Luminaire Type	Material/Finish	Accessories
BOL700 - Bollard	BK - Black BZ - Bronze GN - Green STAR - Silver Star WH - White COP - Copper SS - 316 Stainless Steel	CJK150 - Cable Joint Kit HOOD140 - Anti Glare Hood LENSBOLF - Frosted Lens FL - Fluorescent Option FM - Flange Mount /R - Retro™ Transformer 240/12 volt For an alternative LED option start at page 10.4

Ordering Example: BOL700 BZ - Bollard 700 in Bronze
BOL700FL COP - Bollard 700 with Fluorescent Option in Copper

FM GN - Flange Mount in Green
(Accessories ordered separately)

HUNZA™ PURE OUTDOOR LIGHTING

HUNZA FACTORY
130 Felton Mathew Ave
Glen Innes
Auckland 1072
New Zealand

Ph: 64-9-528 9471
Fax: 64-9-528 9361
hunza@hunza.co.nz
www.hunza.co.nz

INTERNATIONAL CONTACTS:
www.hunza.co.nz/contacts.php

Specifications may change without notice.
Manufactured in New Zealand.
© 2009 Hunza Holdings Ltd.

Ver 1.4

Luminaire Construction

CNC machined from one of the following metals:

High corrosion resistant 63.5mm (2½") x 10mm (25/64") aluminium. End cap - solid aluminium 63.5mm (2½") rod, pole - 63.5mm (2½") x 3.25mm (1/8") x 620mm (24½") with chromate substrate and high UV resistant polyester powder coat

Colours Black, Bronze, Green, Silver Star, White.

Copper 63.5mm (2½") x 10mm (13/32"). End cap - solid copper 63.5mm (2½") rod, pole - 63.5mm (2½") x 3.25mm (1/8") x 620mm (24½").

316 Stainless Steel 63.5mm (2½") x 9mm (11/32"). End cap - solid 316 stainless steel 63.5mm (2½") rod pole - 63.5mm (2½") x 3.25mm (1/8") x 620mm (24½").

Mounting

Set in concrete in the ground or specify with flange mount option, which bolts to concrete, tiling or wooden decks.

Features

Lens:

UV stable acrylic with anti-glare mesh and dual angle reflector projects light horizontally and at 45° onto the ground.

Gaskets:

Silicone, iron impregnated 220°C (428°F).

Lamp Holders:

GU5.3 - 350°C (662°F) ceramic multi contact lamp holder with 250°C (480°F) teflon cables.


Fluorescent:

E27 PET 210°C (410°F) base mount. E26 only available in the USA.

Accessories:

Cable Joint Kit (Cat. CJK150).
Frosted Lens (Cat. LENSOLF).
Anti-Glare Hood (Cat. HOOD140).
Flange Mount (Cat. FM).
Fluorescent Option (Cat. FL).
Retro™ Transformer 110/240-12 volt (Cat. /R) IP56.

Standards

IP56/IP66 AS/NZS 61046  UL1838

Luminaire Weight

12 volt: Alum 1.510kg (3lb 5oz)

Cop 3.990kg (8lb 12oz)

SS 3.770kg (8lb 4oz)

Retro: Alum 2.700kg (5lb 15oz)

Cop 5.200kg (11lb 7oz)

SS 4.650kg (10lb 4oz)

Power Supply

HUNZA™ Inground or Wall Mount

Transformer: not included.

USA and Canada:

HUNZA™ Wall Mount Transformer:

not included.

RETRO™ IP56

HUNZA™ 110-240/12 volt ac potted electronic transformer built into the pole. Dimmable with a suitable dimmer.

Luminaire: supplied with

MR16 GU5.3 20, 35, 50 watt lamp max.

Fluorescent

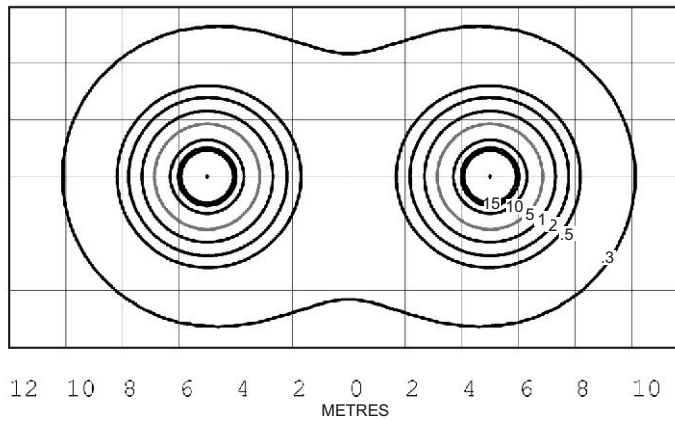
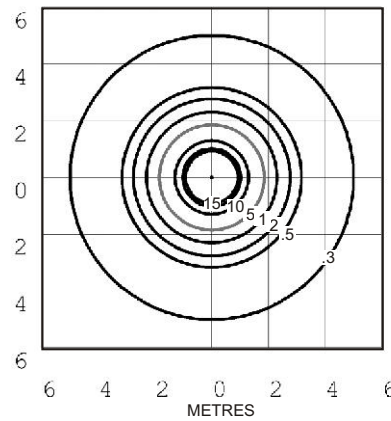
E27 - 110/240 volt self ballasted lamp.

LED - Refer sheet no. 10.4

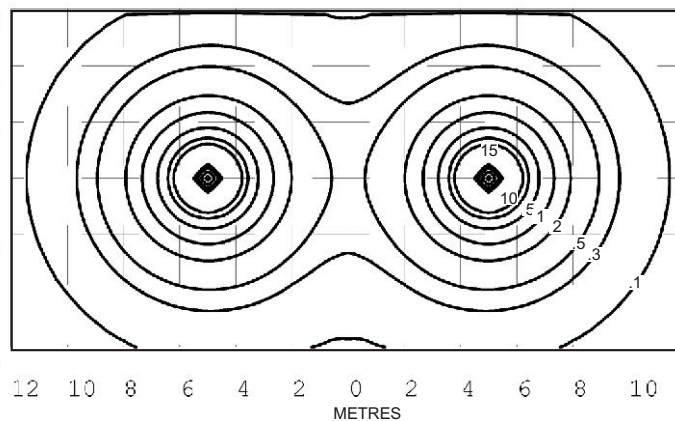
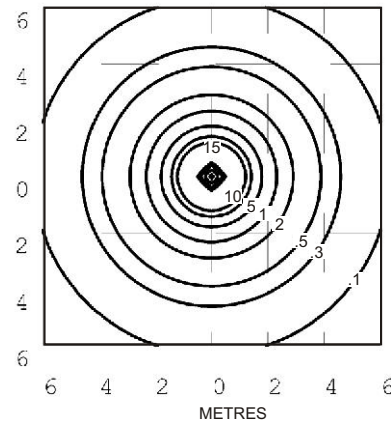
USA and Canada:

MR16 GU5.3 20, 35, 50 watt lamp max.

LED - Refer sheet no. 10.4



Bollard 700 MR16 20watt ESX lamp -
Lens height 700mm (27½")



Bollard 700 MR16 50watt EXT lamp -
Lens height 700mm (27½")

Isolux Lumens Plot -

Footcandles =

Isolux figures divided by 10.76

HUNZA™ PURE
OUTDOOR
LIGHTING

HUNZA FACTORY
130 Felton Mathew Ave
Glen Innes
Auckland 1072
New Zealand

Ph: 64-9-528 9471
Fax: 64-9-528 9361
hunza@hunza.co.nz
www.hunza.co.nz

INTERNATIONAL CONTACTS:
www.hunza.co.nz/contacts.php

Specifications may change without notice.

Manufactured in New Zealand.

© 2009 Hunza Holdings Ltd.

Ver 1.4