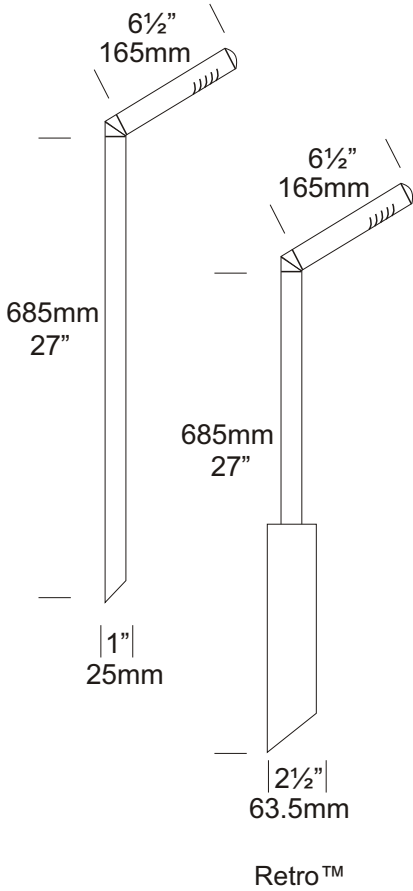


Walkway Lite

Cat. No. WW

Cat. No. WW/R



The Walkway Lite has a subtle, unobtrusive appearance that allows it to blend into a landscape while providing a soft, effective pathway illumination without glare.

Constructed from solid copper with a solid brass elbow and stainless steel grub screws.

The Retro™, which is a mains option, avoids the need to bury a transformer. The 110/240-12 volt electronic transformer is built into the pole and is a double insulated safety isolating transformer. The transformer has an IP56 rating.

Ordering Information

Luminaire Type

WW - Walkway Lite

Material

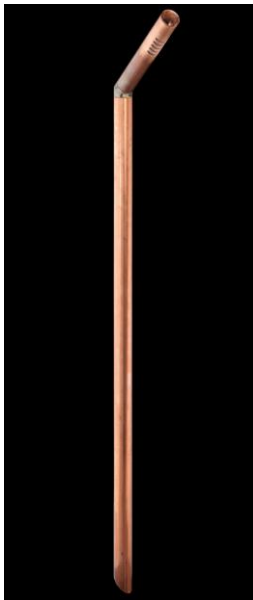
Copper only

Accessories

CJK150 - Cable Joint Kit
 SSP/G - Hunza™ Super Spike (not Retro™)
 /R - Retro™ Transformer 110/240-12 volt
 For an alternative LED option start at page 10.4

Ordering Example WW - Walkway Lite in Copper

CJK150 - Cable Joint Kit
 (Accessories ordered separately)



HUNZA™ PURE OUTDOOR LIGHTING

HUNZA FACTORY
 130 Felton Mathew Ave
 Glen Innes
 Auckland 1072
 New Zealand

Ph: 64-9-528 9471
 Fax: 64-9-528 9361
hunza@hunza.co.nz
www.hunza.co.nz

INTERNATIONAL CONTACTS:
www.hunza.co.nz/contacts.php

Specifications may change without notice.
 Manufactured in New Zealand.
 © 2009 Hunza Holdings Ltd.

Ver 1.4

Luminaire Construction

CNC machined from copper only:
 Pole - copper 25.4mm (1") x 850mm (33½") tube.
 End cap - solid copper 25.4mm (1") rod.
 Elbow - Investment cast in brass.
 Retro™:
 Pole - copper 25.4mm (1") x 410mm (16") tube.
 Elbow - Investment cast in brass.
 Transformer Pole 63.5mm (2½") x 440mm (17½").

Mounting

Pole 850mm (33½") directly mounted into the earth or for extra stability in sand or loose ground use a Hunza™ Super Spike. Retro set in concrete.

Features

Lens:
 22mm (¾") frosted glass tube.

Gaskets:
 Nytrol 150° (302°f)

Lamp Holder:
 G4 - 350°c (662°f) ceramic multi contact lamp holder with 250°c (480°f) teflon cables.

Accessories:
 Cable Joint Kit (Cat. CJK150) Not approved for USA /Canada).
 Hunza™ Super Spike, not for Retro™ (Cat SSP/G).
 Retro™ transformer 110/240-12 volt (Cat. /R) IP56.

Standards

IP44  UL1838

Luminaire Weight

12 volt 1.10kg (2lb 6oz)
 Retro™ 2.38kg (5lb 3oz)

Power Supply

HUNZA™ Inground or Wall Mount Transformer: not included.

RETRO™

HUNZA™ 110/240-12 volt ac silicone encapsulated electronic transformer built into the pole, IP56. Dimmable with a suitable dimmer.

USA and Canada:

HUNZA™ Wall Mount Transformer: not included.

Luminaire: supplied with

G4 Bi-Pin 5, 10, 20 watt lamp max.
 Retro™ G4 Bi-Pin 10, 20 watt lamp max.

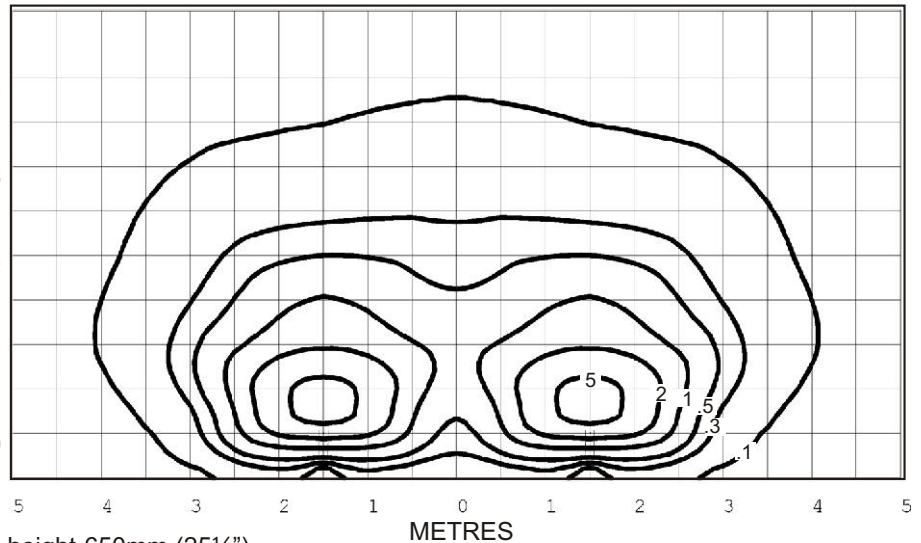
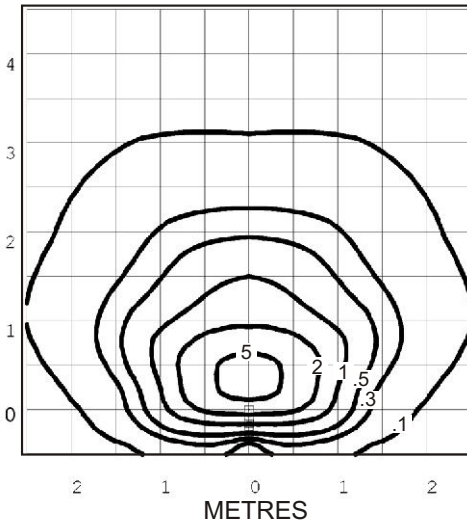
LED - Refer sheet no. 10.4

USA and Canada:

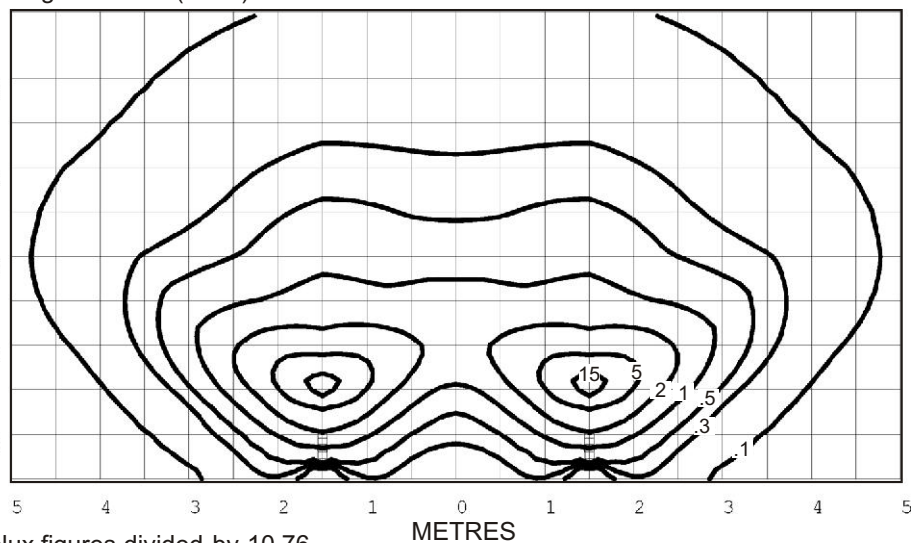
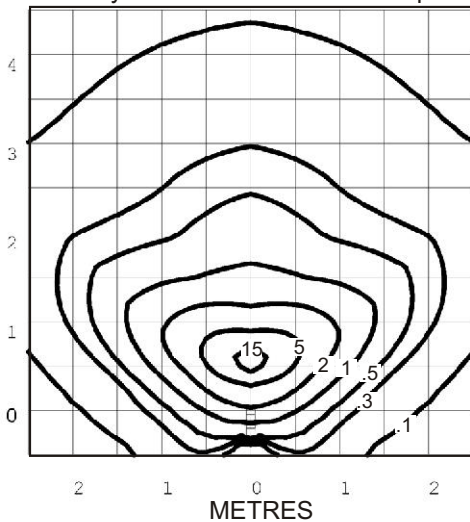
G4 Bi-Pin 5, 10 watt lamp max.

LED - Refer sheet no. 10.4

Walkway Lite G4 10 watt Bi-Pin lamp - Lens height 650mm (25½")



Walkway Lite G4 20 watt Bi-Pin lamp - Lens height 650mm (25½")



Isolux Lumens Plot - Footcandles = Isolux figures divided by 10.76

HUNZA™ PURE OUTDOOR LIGHTING

HUNZA FACTORY
 130 Felton Mathew Ave
 Glen Innes
 Auckland 1072
 New Zealand

Ph: 64-9-528 9471
 Fax: 64-9-528 9361
 hunza@hunza.co.nz
 www.hunza.co.nz

INTERNATIONAL CONTACTS:
 www.hunza.co.nz/contacts.php

Specifications may change without notice.
 Manufactured in New Zealand.
 © 2009 Hunza Holdings Ltd.

Ver 1.4